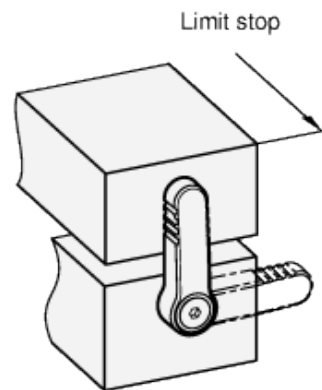
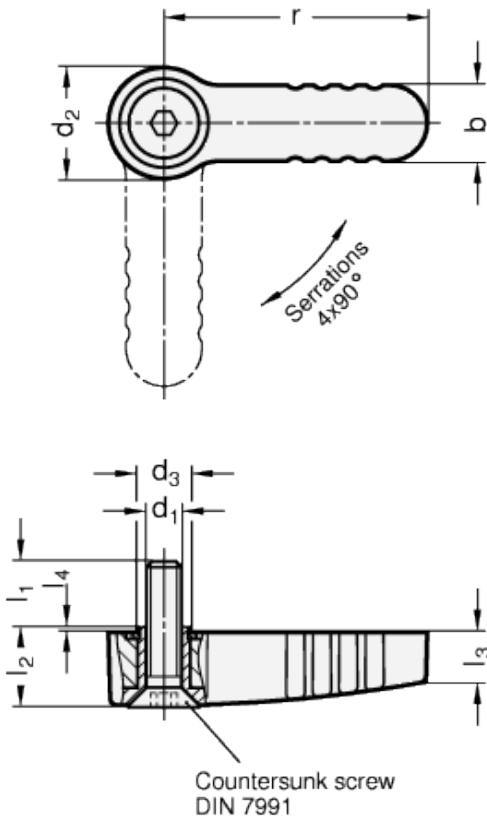


GN 720

Stop locks



technical informations

Latch

Zinc alloy die-cast.

Latch colour

- Version SW: RAL 9005 black, matte finish, epoxy resin coating.
- Version SR: RAL 9006 silver, matte finish, epoxy resin coating.

Indexing mechanism

Stainless Steel.

Countersunk screw DIN 7991

Stainless Steel A2.

Standard versions available

Type A: Mounting with countersunk screw

Features and applications

Stop locks GN 720 may be used as stops and feature a high degree of stability. The inside ball-spring latching mechanism has 4 latching positions at a distance of 90° each. Thanks to the bolt attachment using the countersunk screw, the latching position is freely selectable. The bar is solid and may be machined, if required. The countersunk screw is enclosed as part of the set.

Standard Elements	Main dimensions									Load F max. in N	Weight
	Description	r	d ₁	b	d ₂	d ₃	l ₁	l ₂	l ₃		l ₄
GN 720-45-M6-A-SW	45	M6	13	19	9	12	13	8.5	0.5	500	59
GN 720-45-M6-A-SR	45	M6	13	19	9	12	13	8.5	0.5	500	59
GN 720-65-M8-A-SW	65	M8	18	25	14	14	16	10.5	0.6	1000	131
GN 720-65-M8-A-SR	65	M8	18	25	14	14	16	10.5	0.6	1000	131



STANDARD MACHINE ELEMENTS WORLDWIDE